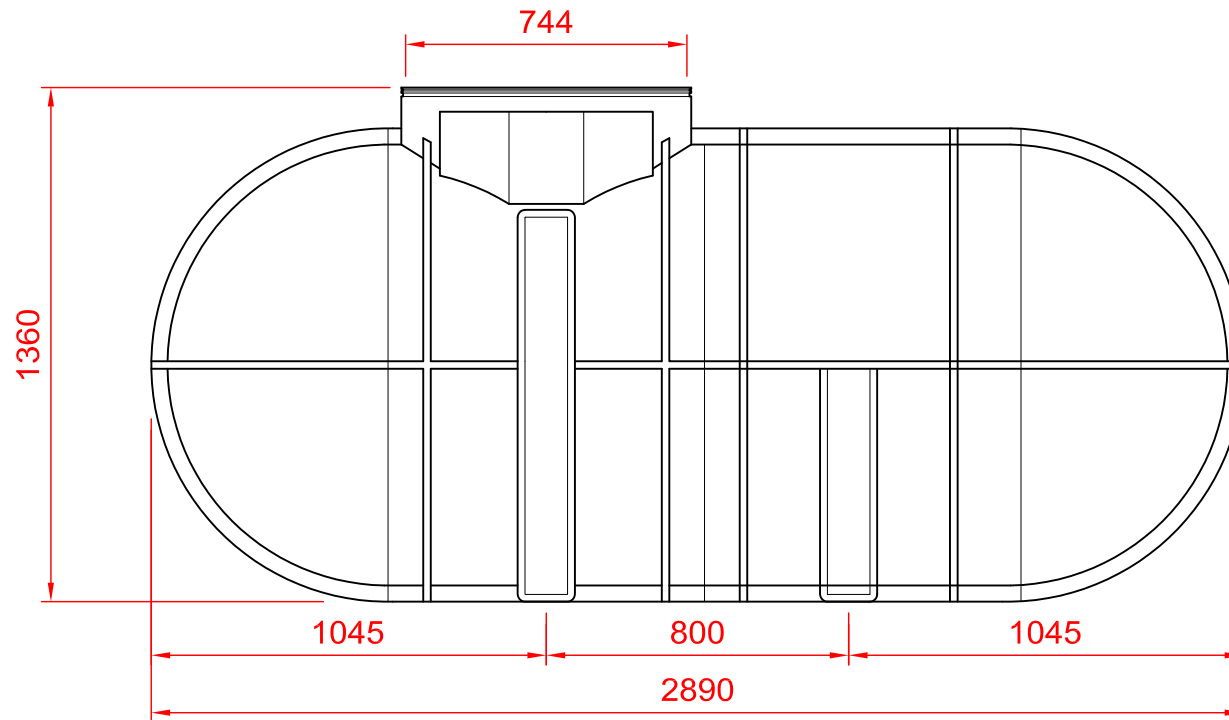
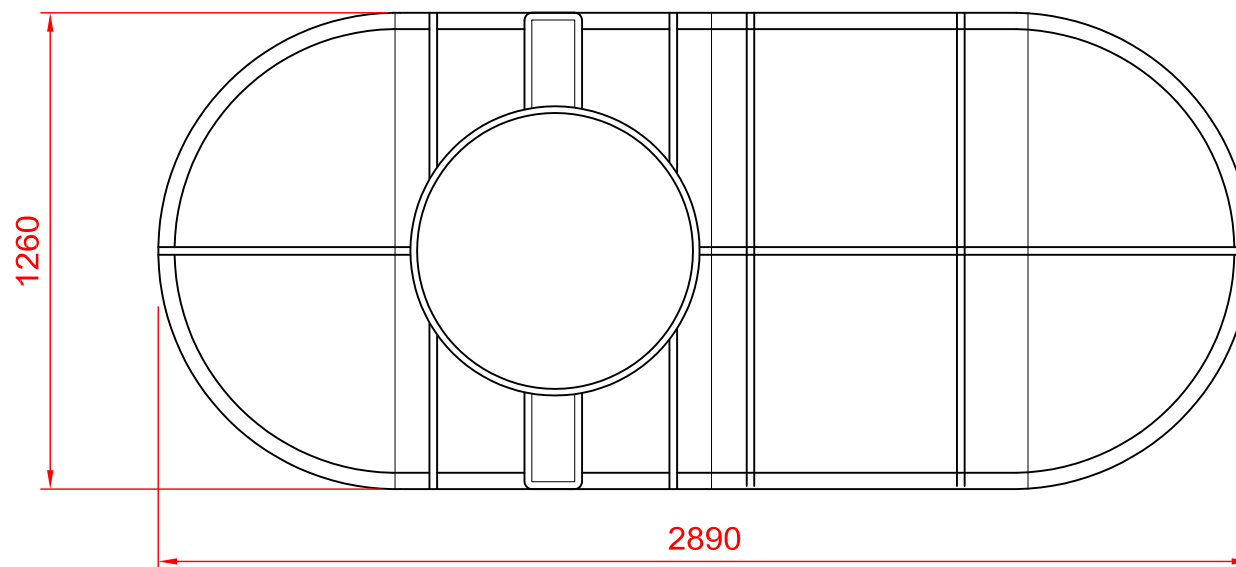


END ELEVATION



SIDE ELEVATION



PLAN

© Atlantis Tanks Group Ltd. 2020



Title
**2600 Litre Puratank
 Plans and Elevations**

Scale
1:20

Drawing No.
PUR-2600-01

Revisions
 -