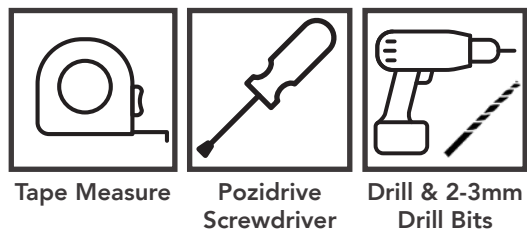
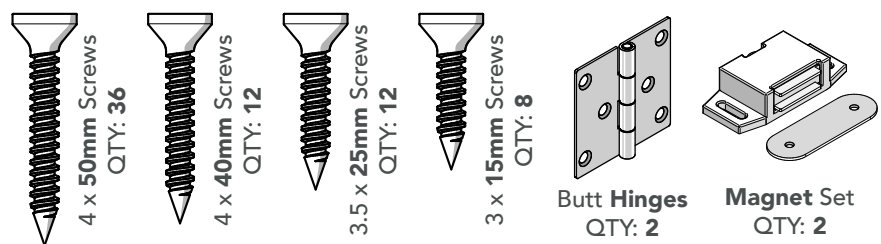


LINEAR PLANTER WITH STORAGE INSTRUCTIONS

We recommend using the following tools (not supplied):

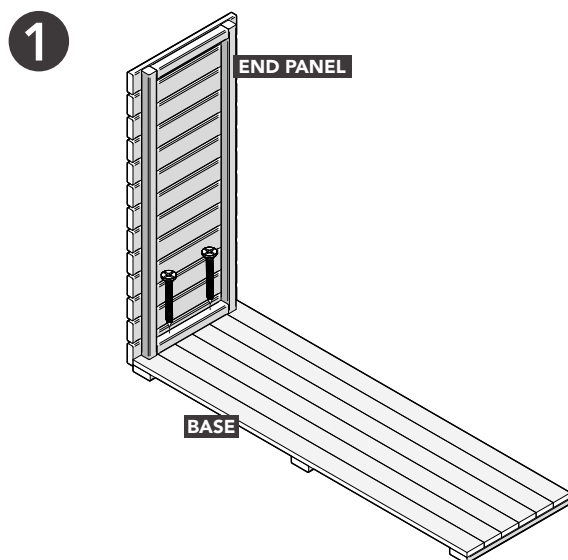


FIXING PACK CONTAINS:
FIXING PACK CODE: *LINPL12090SFP*

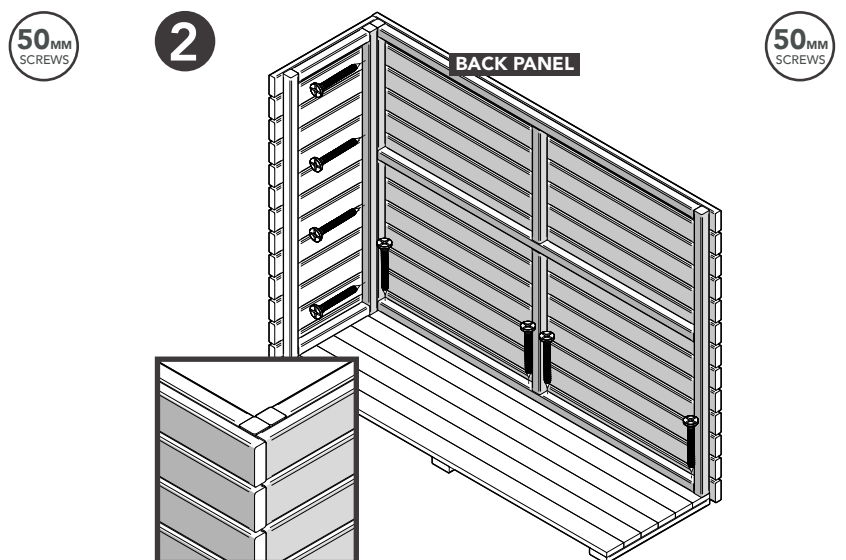


PLEASE KEEP PLASTIC BAGS AND SMALL PARTS AWAY FROM CHILDREN

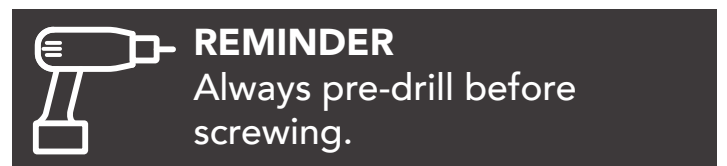
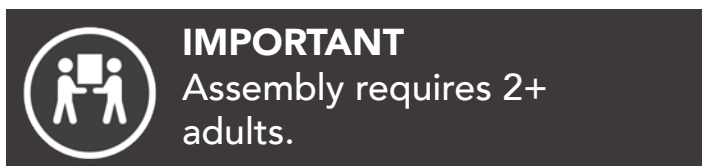
CHECK AND TIGHTEN ALL THE FIXINGS APPLIED TO THIS PRODUCT ON A REGULAR BASIS.



1 Position and secure the End Panel to the Base. Ensure the End Panel is flush to the edge of the Base.

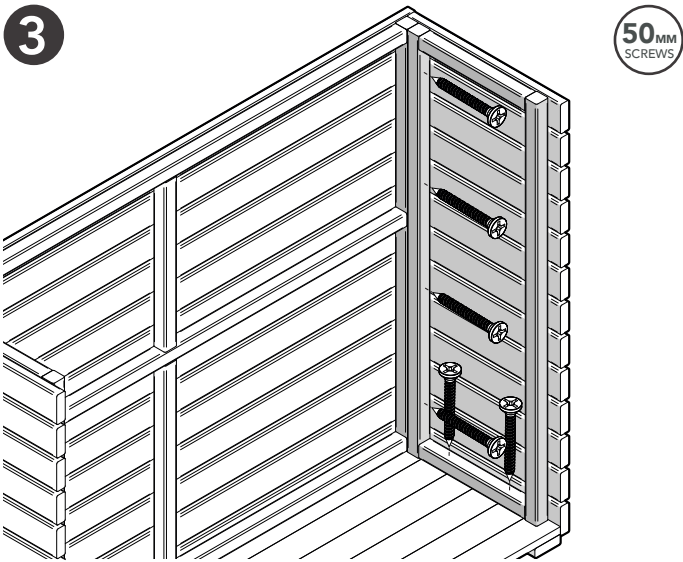


2 Position and secure the Back Panel to the Base and End Panel. Ensure the Back Panel is flush to the End Panel and screw into the floor bearers beneath.

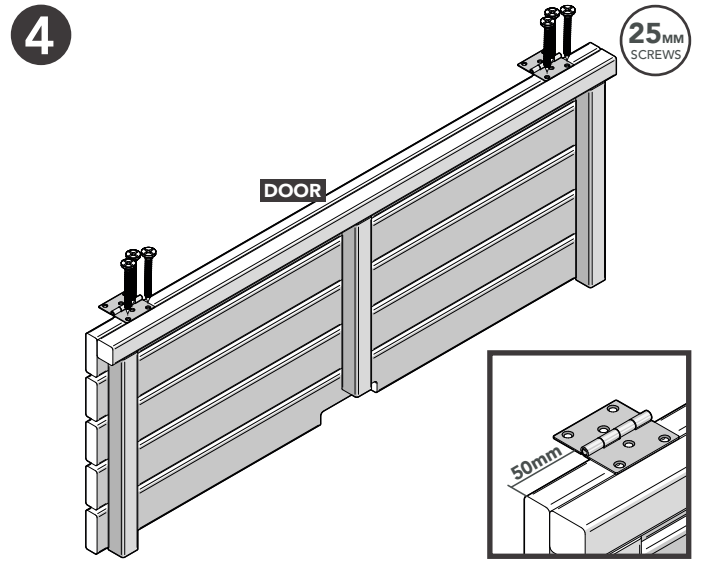


Missing something or need more information?
Call our aftersales team on
0333 321 3142

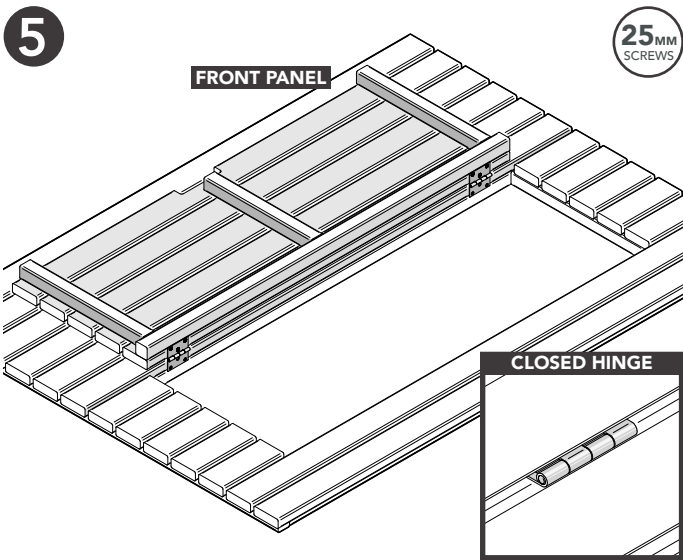
Visit our website for spare instructions and more information
www.forestgarden.co.uk



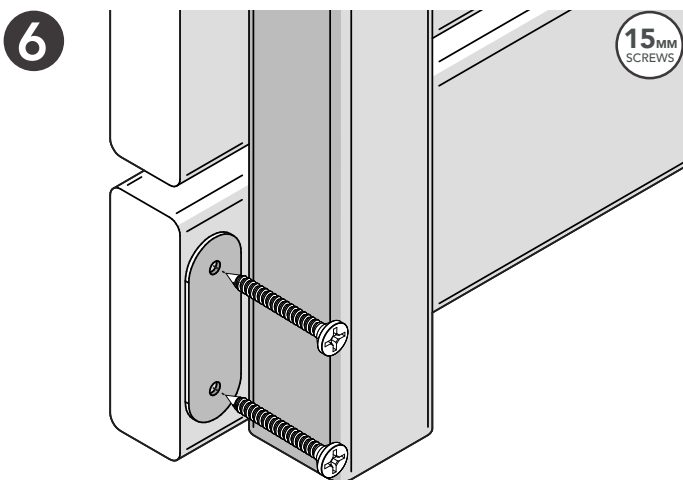
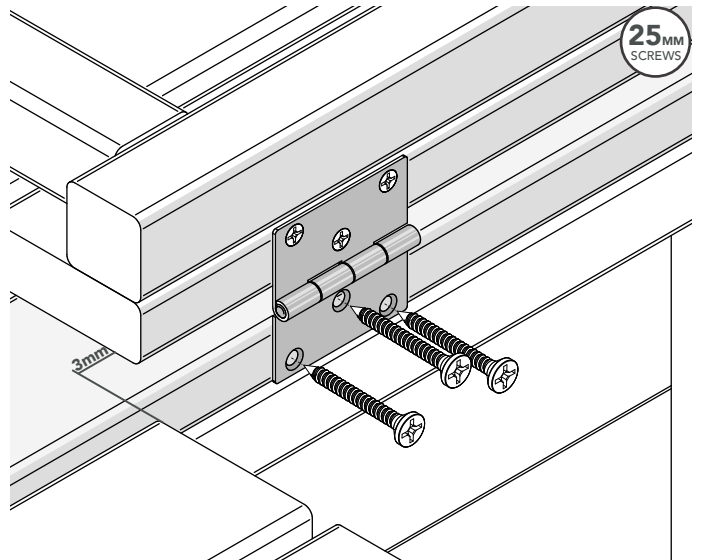
3 Position and secure the End Panel to the Base and Back Panel. Ensure the End Panel is butt up to the Back Panel and screw into the floor bearer beneath.



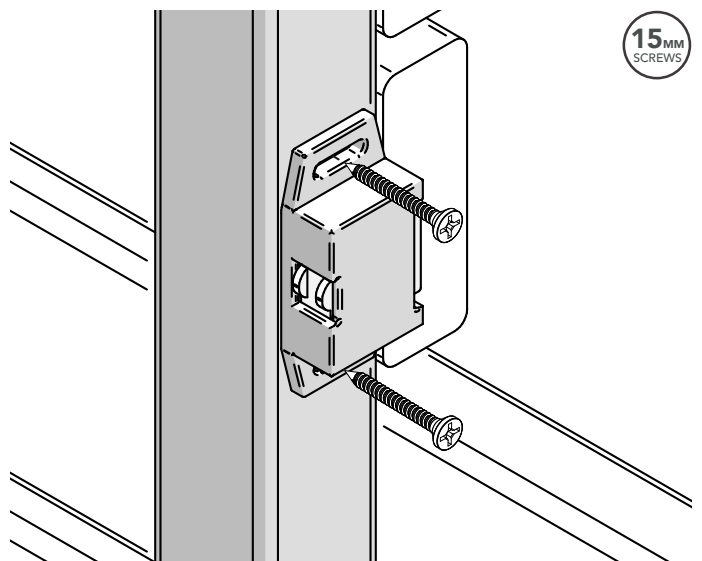
4 Position and secure the hinges to the Door. Use the measurement provided as a guide. Ensure the hinge is flush to the edge of the top slat as shown above.



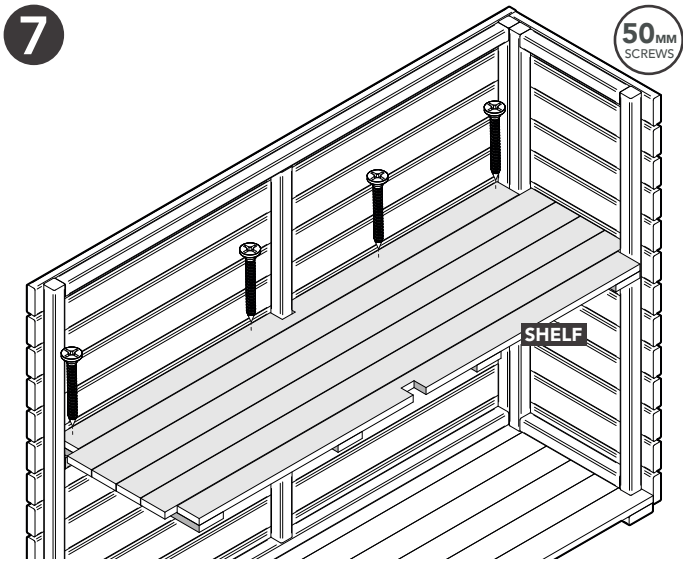
5 Position and secure the Door to the Front Panel. Test opening and closing the Door before adding all screws to the hinges. Ensure the hinge is flush to the slat on the Front Panel and there is a slight gap for the hinge pin. Allow 3mm tolerance each side when positioning the Door.



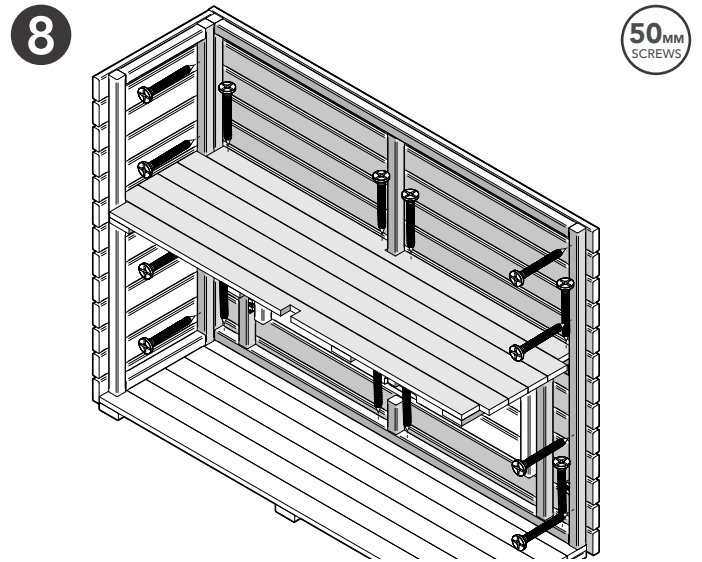
6 Position and secure the magnet receiver to the bottom slat on the Door. Position and secure the other receiver on the other side.



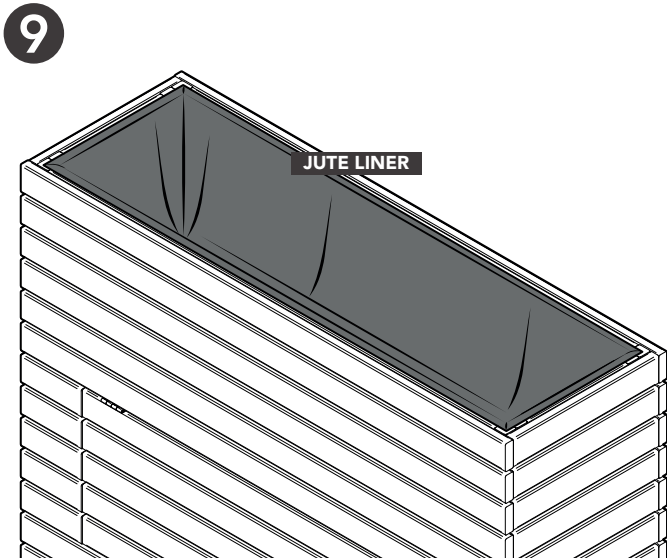
Position and secure the magnet to the batten on the Front Panel, just above the opening. Close the Door, line the magnet up to the receiver and mark the position before securing.



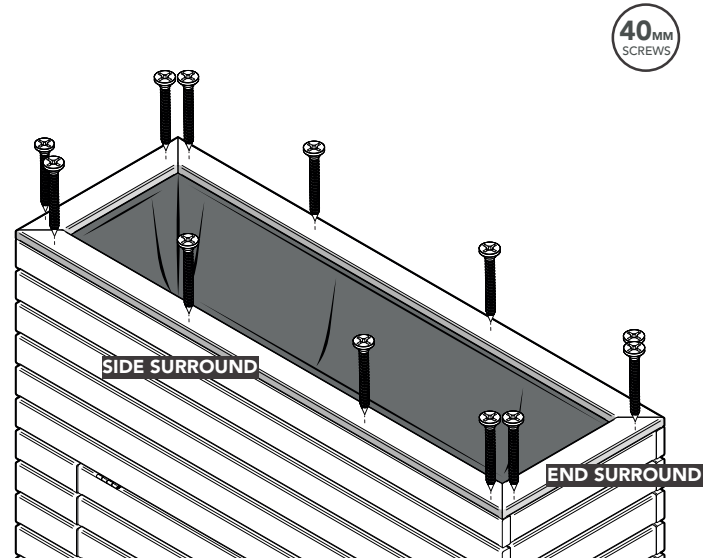
7 Position and secure the Shelf just before attaching the Front Panel. Ensure to screw through the bearer into the batten beneath.



8 Position and secure the Front Panel to the End Panels and Base. Then secure the Shelf to the Front Panel.



9 Lay out and position the Jute Liner material inside your planter. Overlap over the top edge and use the Surrounds to hold in place.



Position and secure the surrounds to the panels. Ensure the Jute Liner is held in position when screwing the surrounds in place and the surrounds are flush around the edge.

HEALTH & SAFETY

We strongly recommend that PPE (Personal Protective Equipment) is used throughout your build to ensure you are protected from any potential health and safety risks. **Do not exempt yourself from wearing PPE.**



CHECK YOU HAVE ALL YOUR PARTS PRIOR TO ASSEMBLY.

(The parts do not have codes on them. They are listed below should you need to order one.)

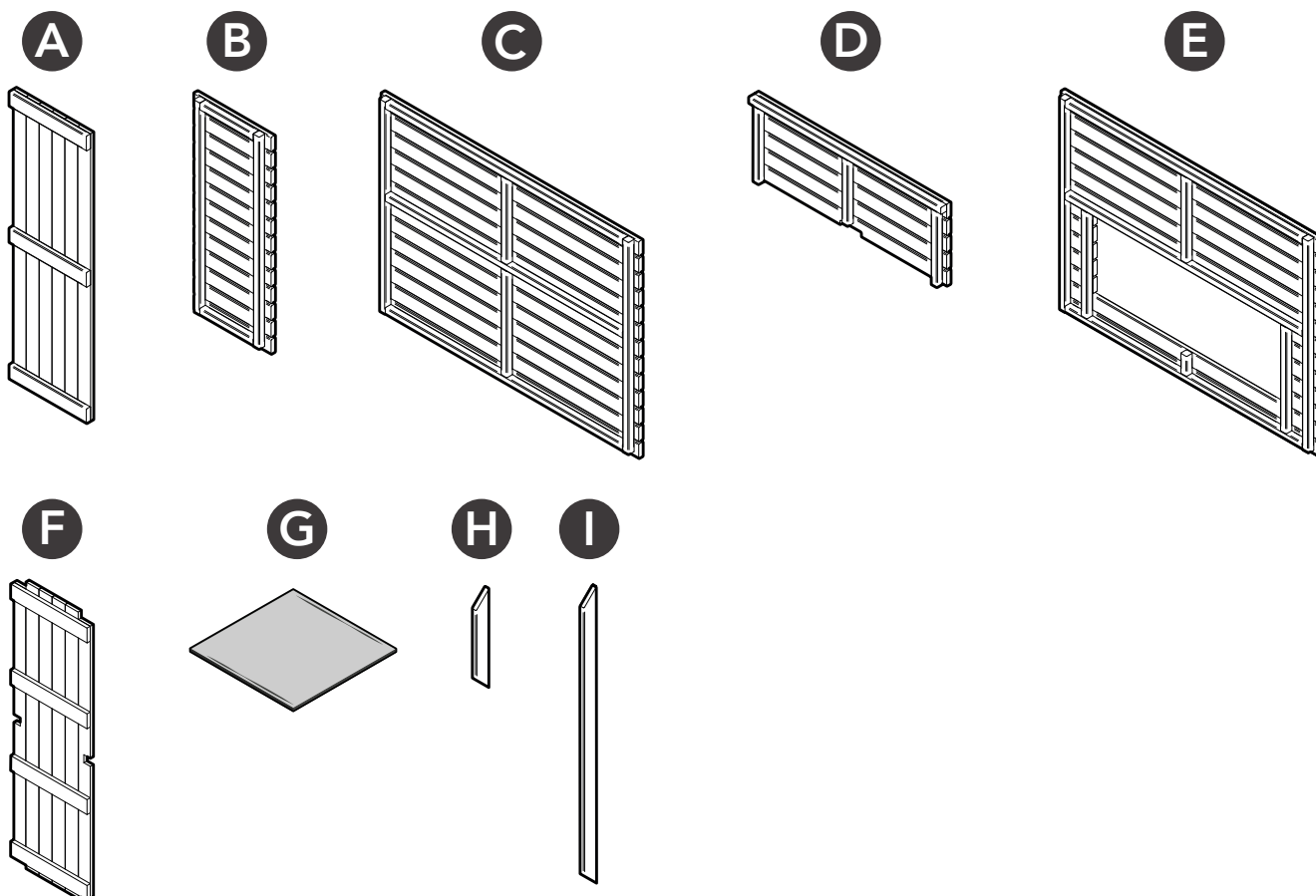
Timber is a natural material of which will shrink and swell as a result of varying moisture content.

Assembly of damaged parts may be deemed to be acceptance and this may affect the remedies you are entitled to. If the product is not constructed in accordance with the instructions, or is altered in anyway (e.g. painted), the manufacturer cannot be held liable for any resulting damage.

The components provided may be heavy. Please lift with caution and with a minimum of 2 people.

Linear Planter With Storage (LINPL12090S)			
Label	Part Code	Description	No.
A	SPLB1160WW	Base 360x1160mm	1
B	SPLP360T	End Panel 360x876mm	2
C	SPLP1200TV2	Back Panel 876x1200mm	1
D	LINPLDOOR	Door 332x894mm	1
E	SPLP1200TDR	Door Panel 876x1200mm	1
F	SPLB1156	Shelf 356x1156mm	1
G	JLINER12090S	Jute Liner	1
H	60200400PAII45PT	End Surround 60x20x400mm	2
I	60201200PAII45PT	Side Surround 60x20x1200mm	2

Use the labelled components to help identify the part code and description.



TREATED TIMBER CONTAINING A BIOCIDAL PRODUCT CONTROL OF WOOD DESTROYING ORGANISMS

Active Ingredients - Propiconazole, Tebuconazole, IPBC, Permethrine, Benzyl-C12-16-Alkyldimethyl Chlorides. (Dip Treated)
Basic Copper Carbonate, DDA Carbonate, DDA Chloride. (Pressure Treated)

Wear gloves when handling. Avoid inhalation of sawdust. Do not use in contact with drinking water or food. Do not use for animal bedding or in fish ponds. Dispose of treated wood responsibly.

