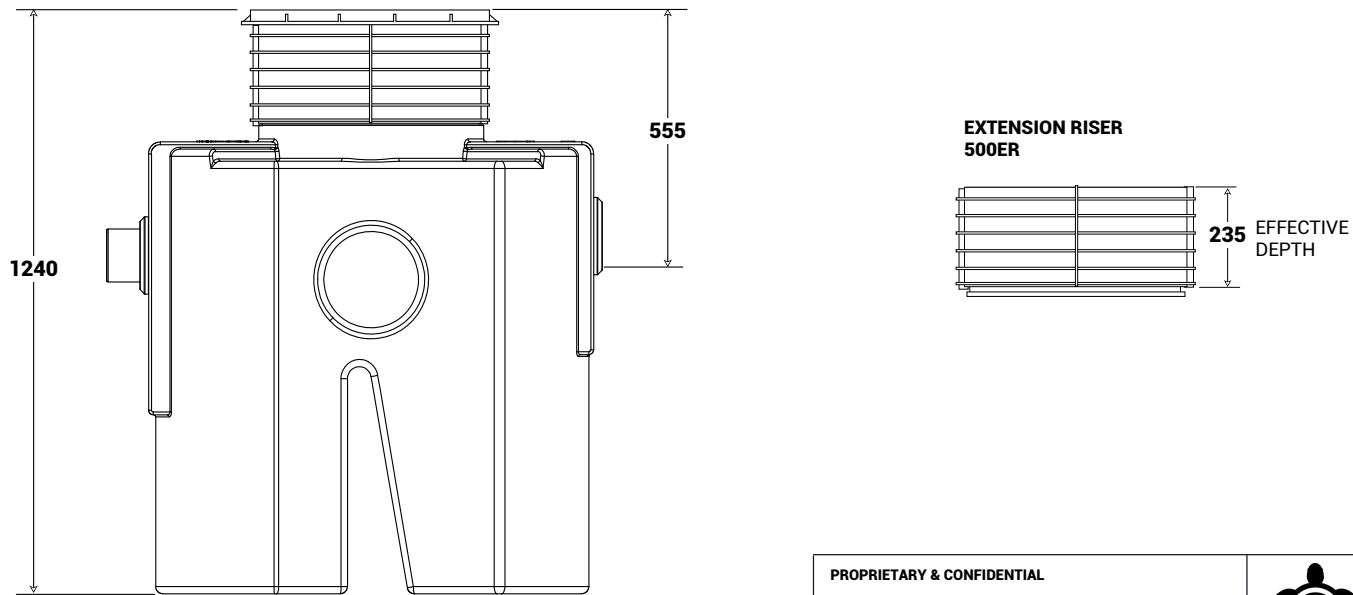


JGT1 - BASE MODEL WITH 1 500ER EXTENSION RISER FITTED



PROPRIETARY & CONFIDENTIAL

THE INFORMATION CONTAINED IN THIS DRAWING IS THE SOLE PROPERTY OF TURTLE ENVIRO DRAINNOVATION ANY REPRODUCTION IN PART OR AS A WHOLE WITHOUT THE WRITTEN PERMISSION OF TURTLE ENVIRO IS PROHIBITED.



| | | | |
|----------------------------|--|------------|-----------|
| DRAWN BY A.T | CONTRACT | | |
| DRAWN DATE 29/9/2021 | PRODUCT DESCRIPTION JUMBO FAT OIL & GREASE TRAP | | |
| APPROVED BY D.A | PRODUCT/CODE JGT1 | | |
| APPROVED DATE 29/9/2021 | SCALE: | SHEET/SIZE | A3 REV: 2 |