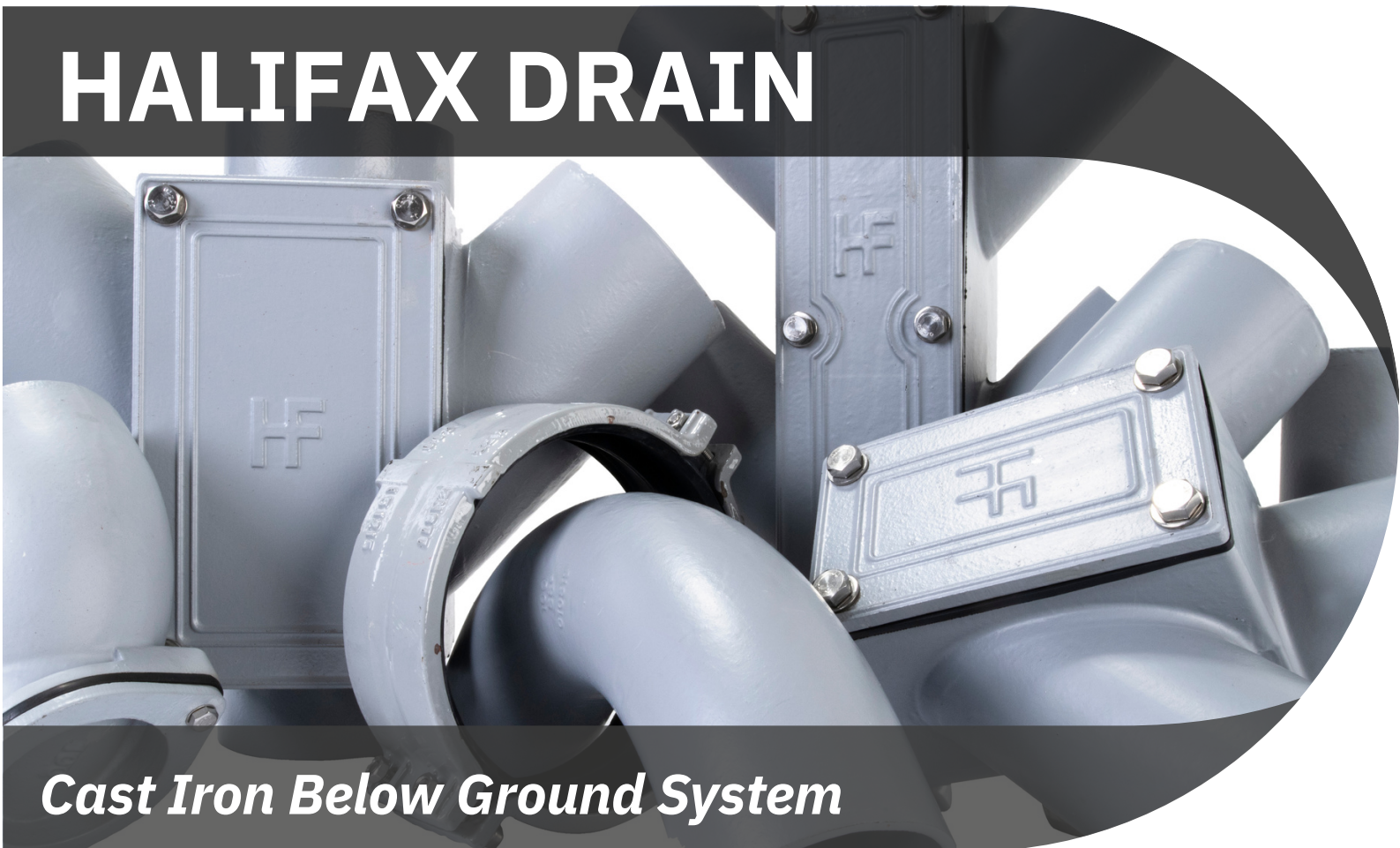


HALIFAX DRAIN



Cast Iron Below Ground System

PRODUCT TABLES

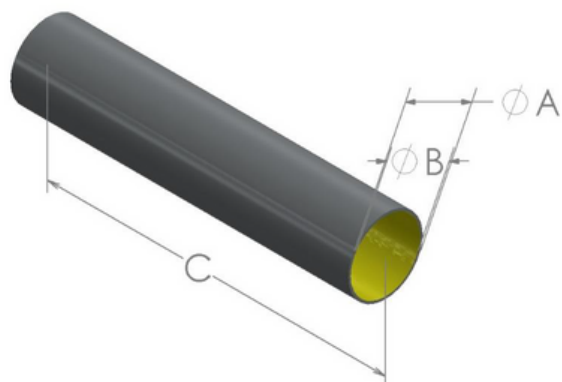
*Fully Compliant with BS **EN 877**:1999 + A1:2006*



KM 684754

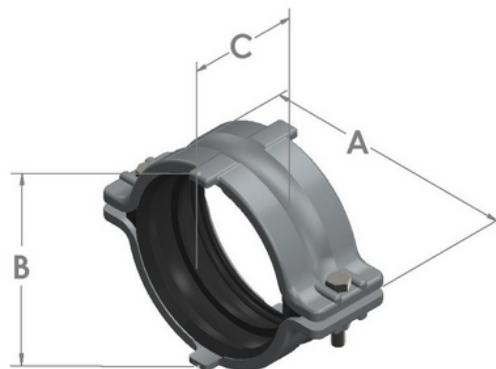
BS EN 877

Double Spigot Pipes



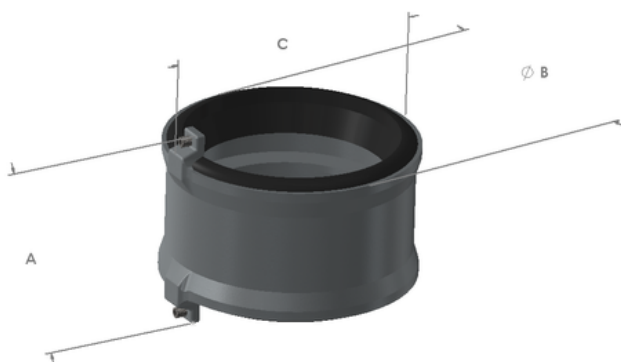
Product Code	Nominal Dia	A Max (OD)	B Min (ID)	Length C	Now Wt (kg)
HD4001	100	112	97.5	3000	25.6
HD6001	150	162	146.25	3000	41
HD8001	200	212.5	195	3000	68
HD10001	250	276.5	243.75	3000	99.8
HD12001	300	328.5	292.5	3000	129.7

Ductile Iron Coupling



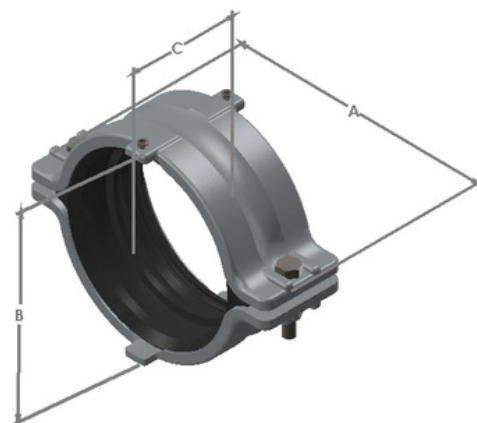
Product Code	Nominal Dia	A	B	C	Max Torque	Now Wt (kg)
HD4012	100	172	132	73	15	1.2
HD6012	150	223	180	95	15	2.1
HD8012	200	283	240	95	15	3.3
HD10012	250	360	300	94.5	15	4.8
HD12012	300	410	350	94.5	15	5.9

Push Fit Couplings



Product Code	Nominal Dia	A	B	C	Now Wt (kg)
HD4095	100	111.5	142	144.5	1.4
HD6095	150	111.5	192	194.5	2.0

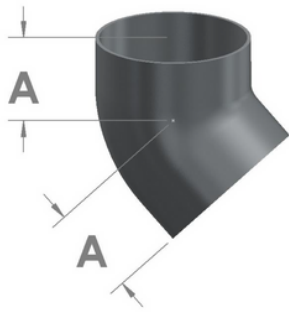
Ductile Iron Coupling With Continuity



Product Code	Nominal Dia	A	B	C	Max Torque	Now Wt (kg)
HD4012C	100	172	132	73	15	1.2
HD6012C	150	223	180	95	15	2.1
HD8012C	200	283	240	95	15	3.3
HD10012C	250	360	300	94.5	15	4.8
HD12012C	300	410	350	94.5	15	5.9

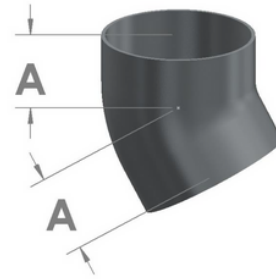
• High Performance Couplings Also Available (Page 45)

45deg Short Radius Bend



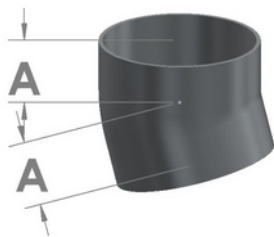
Product Code	Nominal Dia	A	Nom Wt (kg)
HD4005	100	70	1.5
HD6005	150	90	3.3
HD8005	200	110	5.8
HD10005	250	130	10.3
HD12005	300	155	17.3

30deg Short Radius Bend



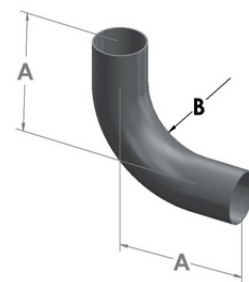
Product Code	Nominal Dia	A	Nom Wt (kg)
HD4006	100	60	1.5
HD6006	150	80	3.2

15deg Short Radius Bend



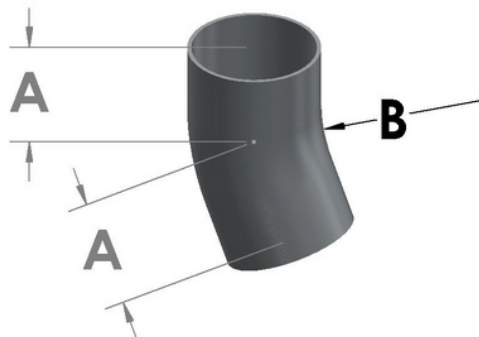
Product Code	Nominal Dia	A	Nom Wt (kg)
HD4007	100	50	1
HD6007	150	65	2.5

88deg Long Radius Bend



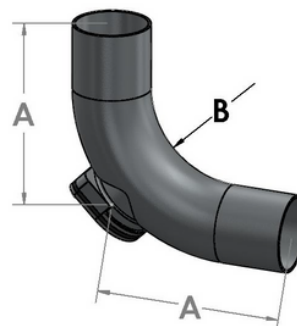
Product Code	Nominal Dia	A	B	Nom Wt (kg)
HD4008	100	269	180	4.8
HD6008	150	274	150	8.2

22deg Long Radius Bend



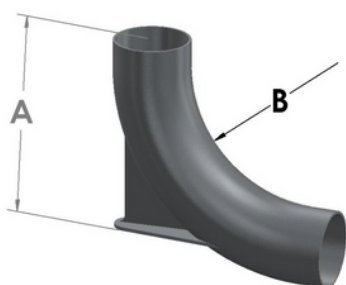
Product Code	Nominal Dia	A	B	Nom Wt (kg)
HD4009	100	90	180	1.8

88deg Long Radius Bend - Door Back



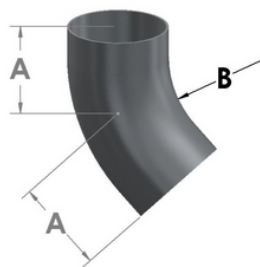
Product Code	Nominal Dia	A	B	Nom Wt (kg)
HD4011	100	269	180	6.4
HD6011	150	274	150	10.7

88deg Long Radius Bend - Heel Rest



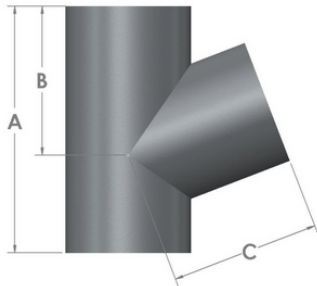
Product Code	Nominal Dia	A	B	Nom Wt (kg)
HD4014	100	269	180	5.6
HD6014	150	274	150	9.1

45deg Medium Radius Bend

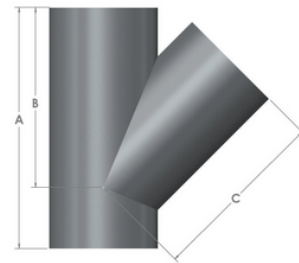


Product Code	Nominal Dia	A	B	Nom Wt (kg)
HD4015	100	135	150	2.8
HD6015	150	145	150	4.3

69deg Single Equal & Unequal Branch



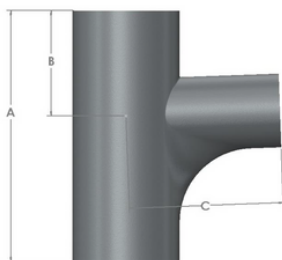
45deg Single Equal & Unequal Branch



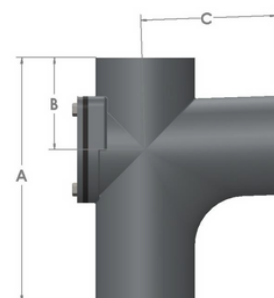
Product Code	Nominal Dia	A	B	C	Nom Wt (kg)
HD4025	100X100	215	130	130	3
HD6023	150X100	235	150	155	4.4

Product Code	Nominal Dia	A	B	C	Nom Wt (kg)
HD4028	100X100	275	206	210	4.3
HD6026	150X100	294	231	231	6.4
HD6027	150X150	355	265	265	9
HD6028	150X70	235	205	205	4.9
HS8026	200X100	300	260	260	9.1
HD8027	200X150	375	300	300	13.2
HD8028	200X200	455	340	340	16.8
HD10028	250X250	560	430	430	31.5
HD12028	300X300	660	505	505	50.1

88deg Single Branch - Radius Curve



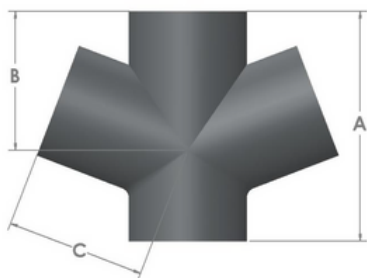
88deg Single Branch - Radius Curve with Access



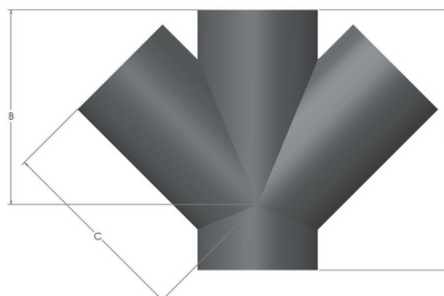
Product Code	Nominal Dia	A	B	C	Nom Wt (kg)
HD4030	100X100	260	102	150	3.5
HD6030	150X100	375	157	230	8
HD6031	150X150	400	140	260	12

Product Code	Nominal Dia	A	B	C	Nom Wt (kg)
HD4032	100X100	270	102	150	5.4
HD6032	150X100	300	117	202	9.5
HD6033	150X150	400	140	260	14.2

69deg Double Branch



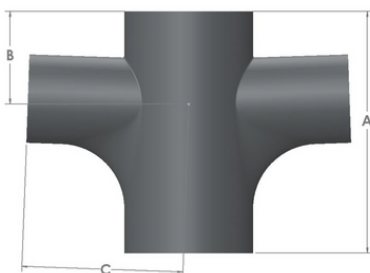
45deg Double Branch



Product Code	Nominal Dia	A	B	C	Nom Wt (kg)
HD4035	100X100	215	130	130	4.1

Product Code	Nominal Dia	A	B	C	Nom Wt (kg)
HD4036	100X100	260	190	190	5.5
HD6036	150x100	280	225	225	6.5
HD6037	150X150	355	265	265	12.5
HD8036	200X200	455	340	340	23.7

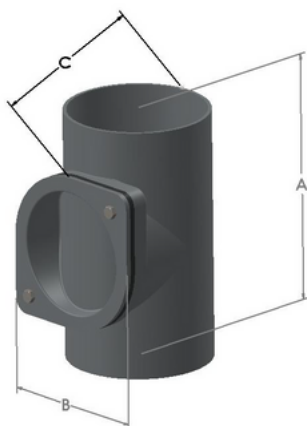
88deg Double Branch - Radius Curve



Product Code	Nominal Dia	A	B	C	Nom Wt (kg)
HD4038	100X100	270	102	150	5
HD6038	150X100	300	115	200	9.3

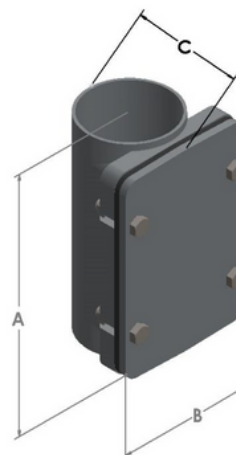


Access Pipes - Round Door



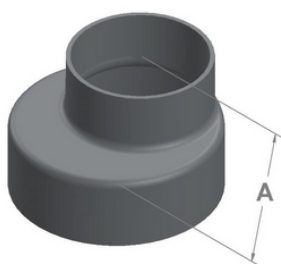
Product Code	Nominal Dia	A	B	C	Nom Wt (kg)
HD4043	100	250	118	130	4
HD6043	150	280	172	180	7.3

Access Pipes - Rect Door



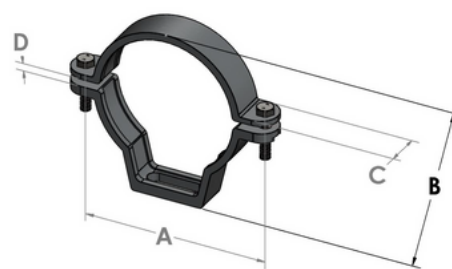
Product Code	Nominal Dia	A	B	C	Nom Wt (kg)
HD4049	100	320	160	130	7.9
HD6049	150	395	215	185	13.1
HD8049	200	465	260	233	23.8
HD10049	250	570	335	325	39.6
HD12049	300	635	385	370	50.2

Pipe Tapers



Product Code	Nominal Dia	A	Nom Wt (kg)
HD6048	150X100	102	1.9
HD8046	200X100	115	4
HD8047	200X150	125	3.4
HD10046	250X100	115	5.3
HD10047	250X150	140	6.3
HD10048	250X200	145	6.4
HD12046	300X150	150	9.4
HD12047	300X200	160	9.8
HD12048	300X250	170	10.2

Coated Adjustable Bracket



Product Code	Nominal Dia	A	B	C	D	Slot	Nom Wt (kg)
HD4067	100	152	146	30	8	50X13.5	0.58
HD6067	150	198	198	30	8	50X13.5	0.74
HD8067	200	240	260	36	8	66X12.5	1.6

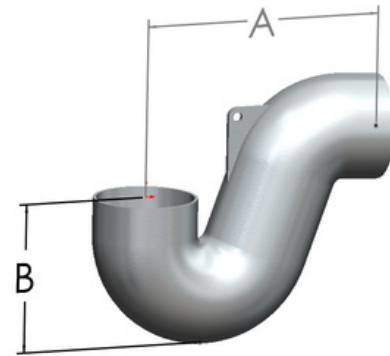
*Not covered by EN877 standard, Kitemark or Agrément certificate

P Trap with Bottom Access



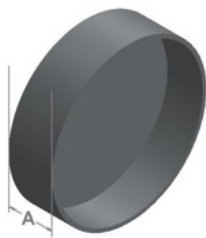
Product Code	Nominal Dia	A	B	Nom Wt (kg)
HD4050	100	255	175	4
HD6050	150	350	245	9.9

Plain P Traps



Product Code	Nominal Dia	A	B	Nom Wt (kg)
HD4080	100	255	158	4.6

Blank Ends



Product Code	Nominal Dia	A	Nom Wt (kg)
HD4051	100	40	0.9
HD6051	150	50	1.6
HD8051	200	60	3
HD10051	250	70	7.2
HD12051	300	80	10.9

Blank Ends - Drilled & Tapped



Product Code	Nominal Dia	A	Nom Wt (kg)
HD4052	100	40	0.7
HD6052	150	50	1.7

Bellmouth Gully Inlet



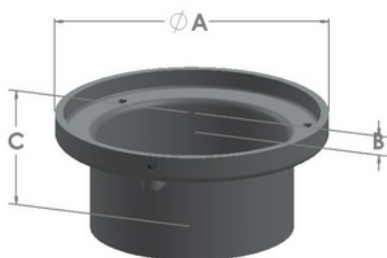
Product Code	Nominal Dia	A	B	C	Nom Wt (kg)
HD4070	100	215	25	85	2.4

Bellmouth Gully with Secured Grating



Product Code	Nominal Dia	Nom Wt (kg)
HD4071	100	4.5

Gully Inlet



Product Code	Nominal Dia	A	B	C	Nom Wt (kg)
HD6071	150	215	22	95	3.4

Solid Cover



Product Code	Nominal Dia	Nom Wt (kg)
HD8076	100	2

Supplied with Rubber Seal + Screws.
* Not Covered by Kitemark

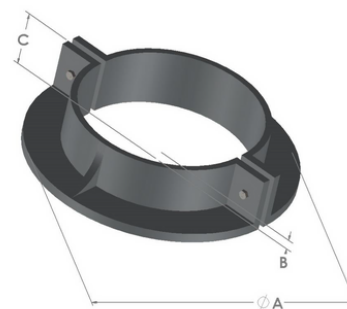
Plain Grating



Product Code	Nominal Dia	Nom Wt (kg)
HD8077	197	1.8

* Not Covered by Kitemark

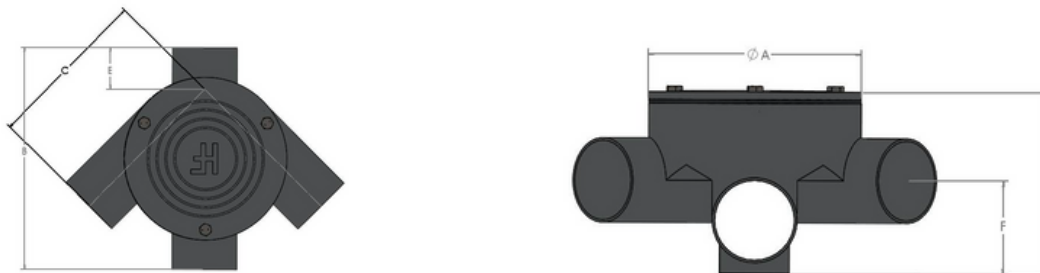
Puddle Flanges



Product Code	Nominal Dia	A	B	C	Nom Wt (kg)
HD4078	100	220	12	50	4
HD6078	150	275	12	65	6
HD8078	200	315	12	70	7
HD10078	250	390	12	75	10.4
HD12078	300	450	12	80	12.6

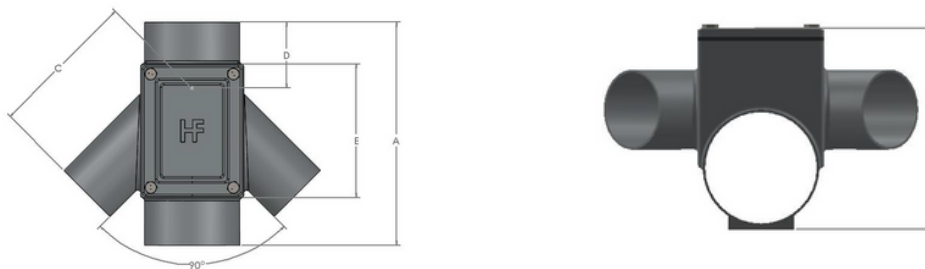
Bolt on flange is supplied in two halves with stainless steel nuts & bolts.

Inspection Chamber - 2 Branch - Round Door



Product Code	Nominal Dia	A	B	C	D	E	F	Nom Wt (kg)
HD4480	100X100	275	375	290	235	72	66	12
HD6480	150X100	275	415	334	259	100	93	15
HD6680	150X150	375	415	317	310	126	92	16.6

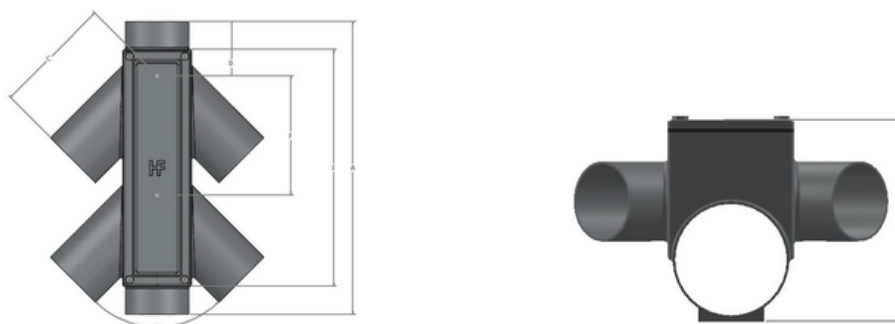
Inspection Chamber - 2 Branch - Rect Door



Product Code	Nominal Dia	A	B	C	D	E	Nom Wt (kg)
HD4481	100X100	350	200	250	111	200	11.7
HD6481	150X100	375	275	250	111	225	20.5
HD6681	150X150	435	275	300	136	295	20.7

Not covered by BBA

Inspection Chamber - 4 Branch - Rect Door



Product Code	Nominal Dia	A	B	C	D	E	F	Nom Wt (kg)
HD4482	100X100	590	200	250	111	450	250	21.5
HD6482	150X100	625	275	250	111	475	250	29
HD6682	150X150	735	275	300	136	595	300	45.5

Not covered by BBA