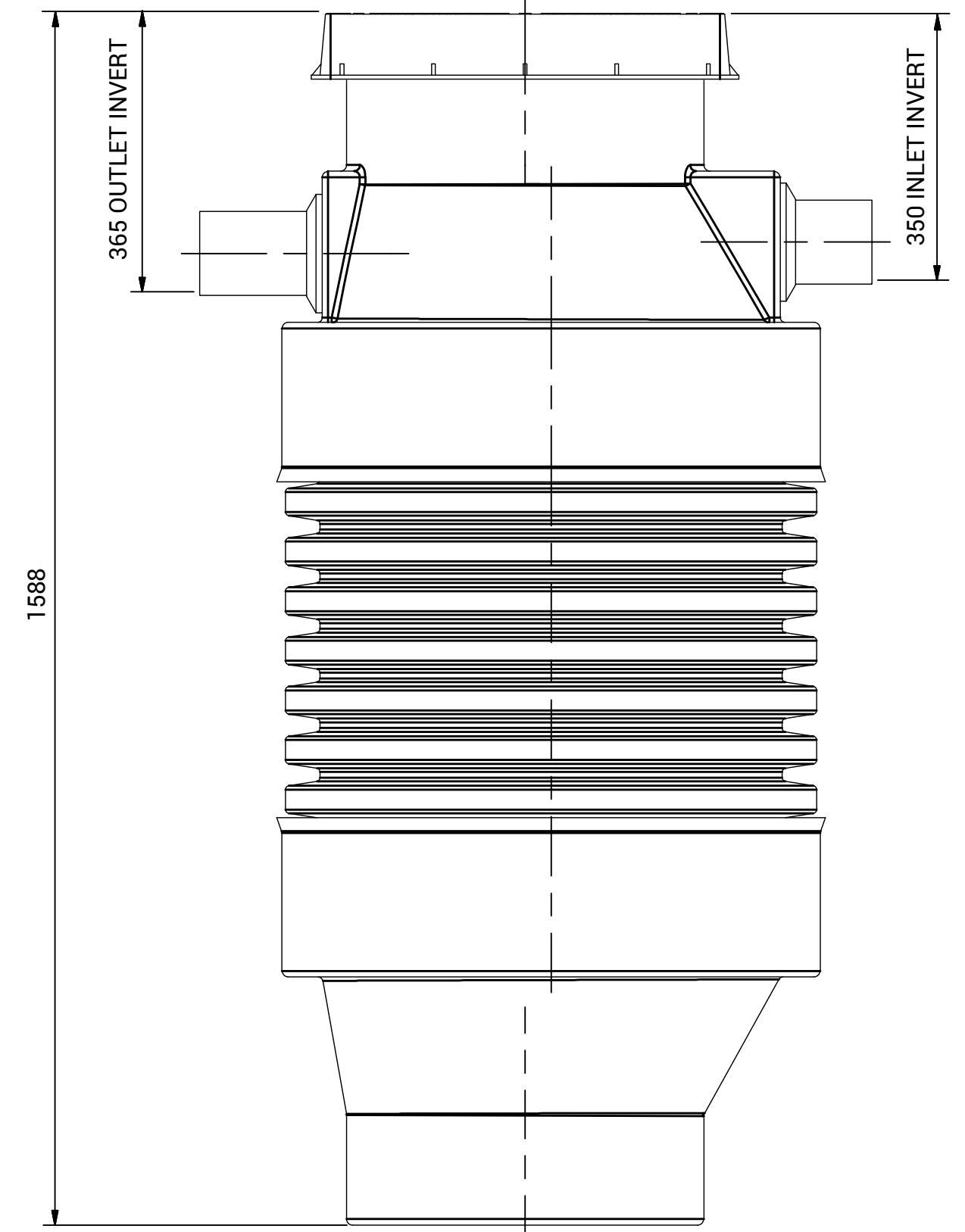
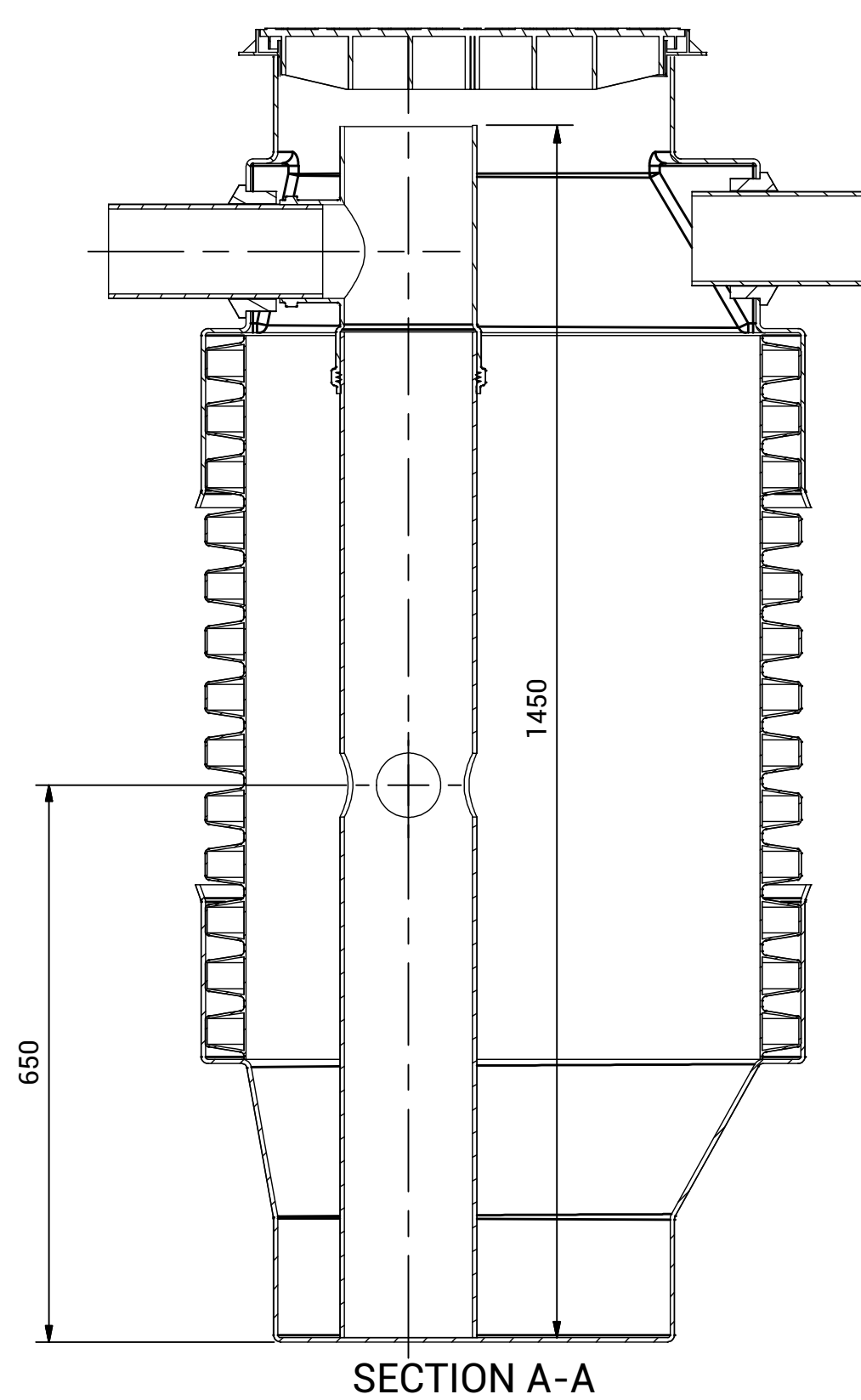
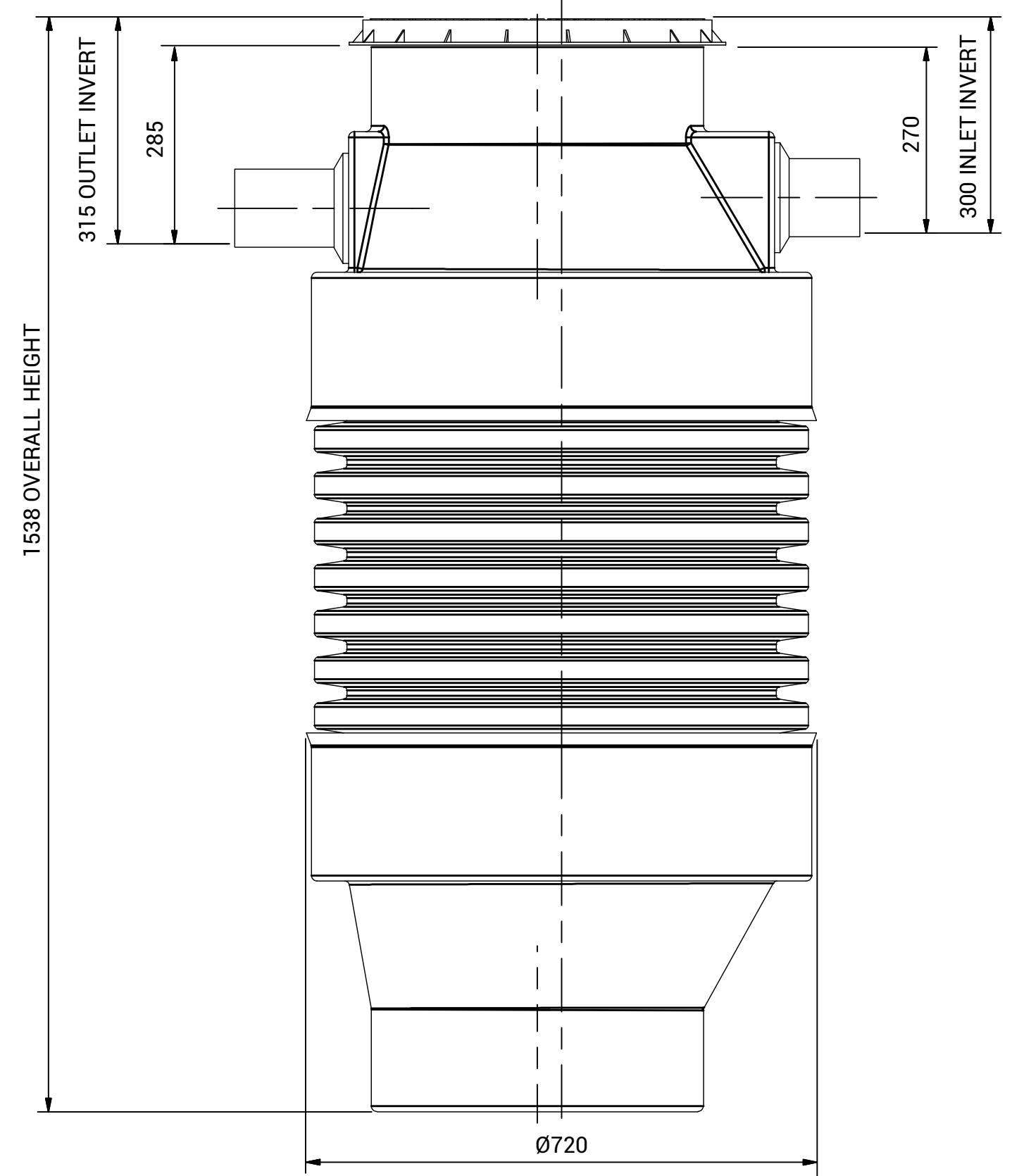


COVER OPTIONS - CIRCULAR (AS STANDARD)  
SQUARE SECTION OPTIONAL



**GT2 SPECIFICATION**  
 TOTAL VOLUME: 420 Litres  
 WORKING CAPACITY: 375 Litres  
 SLUDGE STORAGE: 150 Litres  
 PIPEWORK: 110mm EN1401  
 ACCESS COVER: A15 Rating  
 DESIGNED TO MEET EN1825-1  
 NOMINAL SIZE: 1  
 MAXIMUM MEALS PER DAY - 250



DRAWN BY:-	B.W.	CONTRACT REFERENCE:-		
DRAWN DATE:-	26/3/2021	N/A		
		PRODUCT DESCRIPTION		
		GT2 GREASE TRAP		
APPROVED	D.A.	SIZE	PRODUCT CODE	REV
		A3	GT2	1
		SCALE	1:7.5	SHEET 1 OF 1